

# Product data sheet

## Characteristics

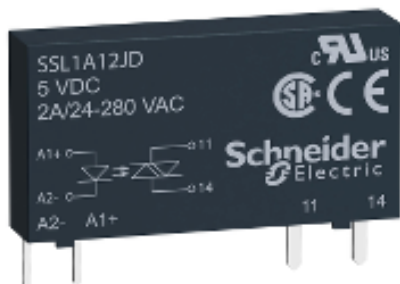
# SSL1A12BD

Harmony, Solid state slim relay, 2 A, zero voltage switching, input 15...30 V DC, output 24...280 V AC



Product availability: Stock - Normally stocked in distribution facility

Price\*: 14.60 USD



### Main

Range of Product	Harmony Solid State Relays
Product or Component Type	Solid state relay up to 10 A
Device short name	SSL
Phase	1 phase
Output switching mode	DC switching

### Complementary

Mounting Support	Socket
Line Rated Current	2 A
Output voltage	24...280 V AC
[Uc] control circuit voltage	15...30 V DC
Capacitance unbalance	1.5 PF input/output
Minimum switching voltage	15 V DC turn-on
Maximum switching voltage	10 V DC turn-off
Input current limits	6 MA
Input impedance	3500 Ohm
Solid state output type	Zero voltage switching SCR output
Load current	0.07...2 A
Absolute maximum voltage	600 V AC
Surge current	120 A 16.6 ms 115 A 20 ms
Maximum voltage drop	<1.1 V on-state
Maximum I <sup>2</sup> t for fusing	66 A <sup>2</sup> .S for 10 ms at 50 Hz 60 A <sup>2</sup> .S for 8.3 ms at 60 Hz
Maximum leakage current	4 MA off-state
DV/dt	500 V/μs off-state at maximum voltage
Response time	0.5 cycle (turn-on) 0.5 cycle (turn-off)

Overvoltage category	III
Maximum Width	0.20 In (5 mm)
Maximum Height	1.10 In (28 mm)
Maximum Depth	0.59 In (15 mm)
Net Weight	0.01 Lb(US) (0.0041 kg)

## Environment

Flame retardance	V0 conforming to UL 94
Dielectric strength	2500 V for input/output
Pollution degree	2
Product Certifications	UL CSA
Marking	CE
Ambient Air Temperature for Operation	-4...176 °F (-20...80 °C)
Ambient Air Temperature for Storage	-4...185 °F (-20...85 °C)



## Ordering and shipping details

Category	22375 - INTERFACE MODULE(ABA,R,S)
Discount Schedule	CP2
GTIN	03606480579721
Nbr. of units in pkg.	1
Package weight(Lbs)	0.18 Oz (5 g)
Returnability	Yes
Country of origin	MX

## Packing Units

Unit Type of Package 1	PCE
Package 1 Height	0.28 In (0.7 cm)
Package 1 width	0.98 In (2.5 cm)
Package 1 Length	14.57 In (37 cm)
Unit Type of Package 2	BB1
Number of Units in Package 2	12
Package 2 Weight	2.15 Oz (61 g)
Package 2 Height	0.28 In (0.7 cm)
Package 2 width	0.98 In (2.5 cm)
Package 2 Length	14.57 In (37 cm)
Unit Type of Package 3	S01
Number of Units in Package 3	1080
Package 3 Weight	12.53 Lb(US) (5.684 kg)
Package 3 Height	5.91 In (15 cm)
Package 3 width	5.91 In (15 cm)
Package 3 Length	15.75 In (40 cm)

## Offer Sustainability

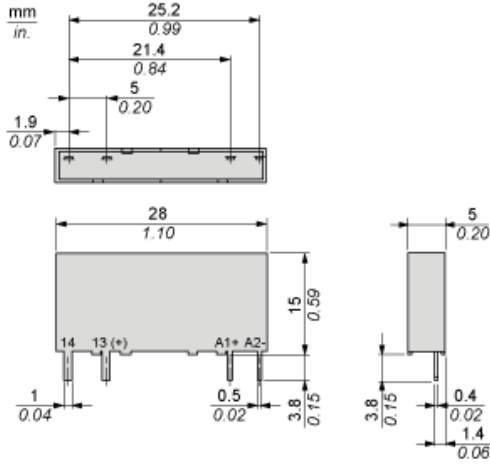
Sustainable offer status	Green Premium product
California proposition 65	WARNING: This product can expose you to chemicals including: Lead and lead compounds, which is known to the State of California to cause cancer and birth defects or other reproductive harm. For more information go to <a href="http://www.P65Warnings.ca.gov">www.P65Warnings.ca.gov</a>
REACH Regulation	 <a href="#">REACH Declaration</a>
REACH free of SVHC	Yes
EU RoHS Directive	Pro-active compliance (Product out of EU RoHS legal scope)  <a href="#">EU RoHS Declaration</a>
Mercury free	Yes

---

RoHS exemption information	<a href="#">Yes</a>
China RoHS Regulation	<a href="#">China RoHS Declaration</a>
Environmental Disclosure	<a href="#">Product Environmental Profile</a>
Circularity Profile	<a href="#">End Of Life Information</a>

---

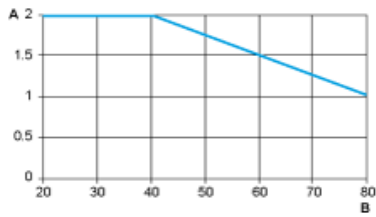
Dimensions



---

Derating Curves

---



A : Load Current (Amperes)  
B : Ambient Temperature (°C)

Product Life Status : **Commercialised**